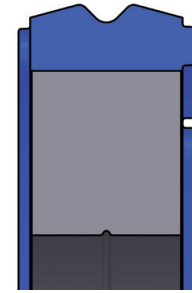


PISTON SEAL K84

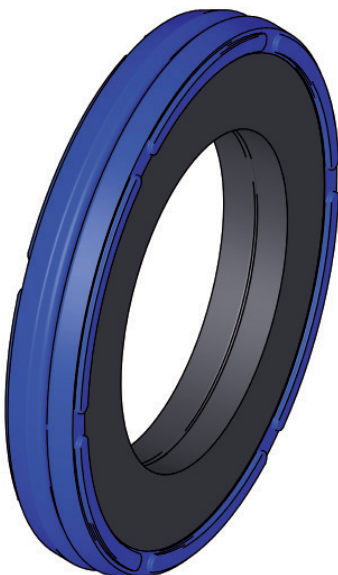


The double-acting K84 is composed of a highly extrusion-resistant TPU sealing element, which is prestressed by a rectangular NBR ring. The K84 is distinguished by its extraordinary sealing function under both dynamic and static loads. If there is pressure on both sides, two sealing edges establish a secure media separation.

The piston seals K70 or KPOR 30/130 can be used as an alternative thanks to a standardized installation space, depending on the operating conditions. The K84 thus offers the user maximum flexibility during the design phase.

YOUR ADVANTAGES AT A GLANCE

- Thermoplastic polyurethane (TPU) stands out for its very high resistance to wear and extrusion resistance as well as its low compression set
- Nitrile butadiene rubber (NBR) and TPU are resistant to hydraulic oils in accordance with DIN 51524 (Part 1–3) and flame-resistant hydraulic fluids (HFA, HFB, HFC) as well as lubricating oils and greases based on petroleum oil
- Channels on the facing surface ensure a rapid pressure build-up



- A special geometry allows a hydrodynamic lubricating film while reducing friction and minimizing the stick-slip effect
- During operation, the rectangular ring provides an uniform pressure distribution and twist-protection
- Accidental twisting during installation can be controlled by means of a built-in marking in the inner surface of the rectangular ring

APPLICATIONS

The K84 is specially designated for medium and heavy-duty mobile hydraulics. Its outstanding sealing function, small installation grooves and easy assembly permit its use in numerous applications, including

- agricultural machinery
- construction machinery
- loading cranes
- injection molding machines
- handling equipment
- industrial vehicles
- standard cylinders
- and much more.

CHARACTERISTICS

Sealing materials

The profile ring of the K84 is made of a blue TPU 98. The rectangular ring is composed of NBR 70 or 80 Shore A.

Assembly

This two-piece seal is installed with an easy snap fitting in closed grooves. Control of accidental twisting by means of a built-in marking.

Dimensions

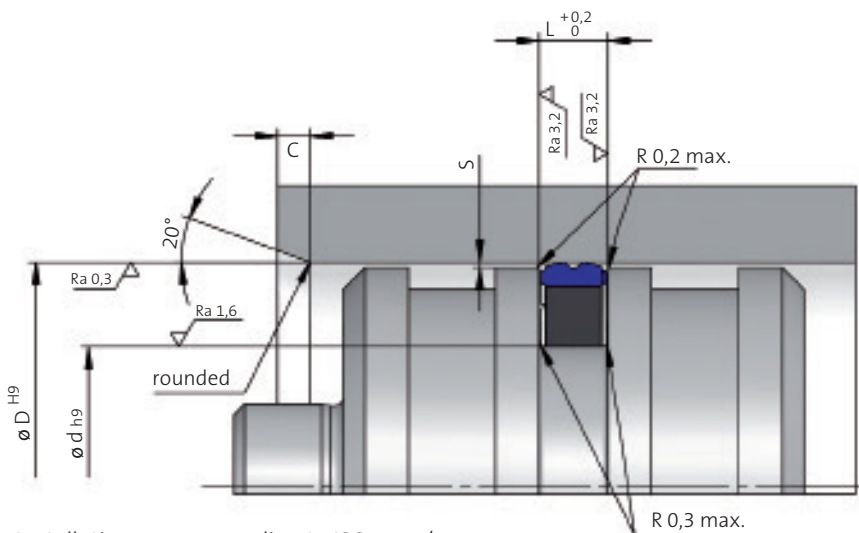
The currently available dimensions can be found on our website and in the web shop at www.dichtomatik.com.

Operating limits

Pressure (MPa)	up to 40
Operating temperature range (°C)	-30 to +100
Sliding speed (m/s)	≤ 0,5

Gap Smax. in operation

Height L	3,2	4,2	6,3	8,1	10,5
up to 16 MPa	0,3	0,4	0,5	0,6	0,65
up to 26 MPa	0,2	0,3	0,4	0,5	0,55
up to 32 MPa	–	0,2	0,3	0,4	0,45
up to 40 MPa	–	–	0,25	0,35	0,4



Installation space according to ISO 7425/1

The information contained herein is considered to be reliable, but no assurances, warrants or guarantees whatsoever, of any kind, are provided with regard to their correctness or suitability for any purpose. The information reproduced herein is based on the current state of the technology and is not necessarily indicative of the performance of the end product. Complete testing and the performance of the end product are the user's responsibility.